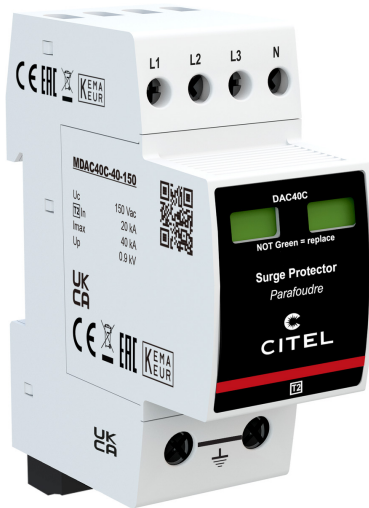




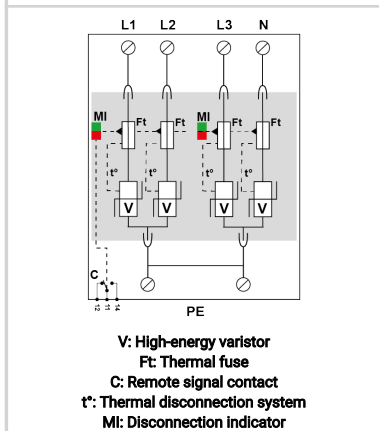
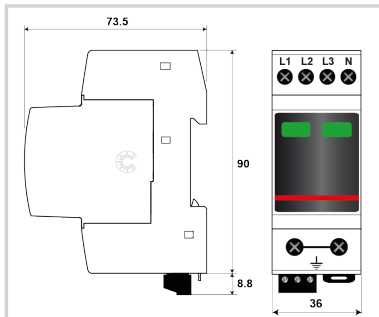
CITEL

Type 2 AC surge protector - 3-phase+N

DAC40CS-40-150



- ▶ Compact, multipole type 2
- ▶ Conductivity per pole: $I_n = 20 \text{ kA}$; $I_{max} = 40 \text{ kA}$
- ▶ Protection modes - common and/or differential
- ▶ Safe disconnect device
- ▶ Transverse / longitudinal voltage protection
- ▶ Energetically coordinated
- ▶ Pluggable protection module
- ▶ Remote signalling
- ▶ Conforms to IEC 61643-11 / EN 61643-11 and UL1449 ed.5



Electrical Characteristics		
SPD type	IEC	2
Network		120/208 V
AC system		TN
Max. AC operating voltage	U_c	150 Vac
Temporary Over Voltage (TOV) Characteristics - 5 sec. Without disconnection	UT	180 Vac withstand
Temporary Over Voltage (TOV) Characteristics - 120 mn Without disconnection or with safety disconnection	UT	230 Vac disconnection
Residual Current Leakage current to Ground	I_{pe}	< 1 mA
Follow current	I_f	None
Nominal discharge current 15 x 8/20 μ s impulses	I_n	20 kA
Max. discharge current max. withstand @ 8/20 μ s by pole	I_{max}	40 kA
Total Maximum discharge current max. total withstand @ 8/20 μ s	I_{max} Total	160 kA
Protection mode(s)		L/PE and N/PE
Protection level N/PE @ I_n (8/20 μ s)	Up N/PE	0.9 kV
Protection level L/PE @ I_n (8/20 μ s)	Up L/PE	1.2 kV
Admissible short-circuit current	I_{sc}	10 000 A
Mechanical Characteristics		
Technology		MOV
SPD configuration		3-phase+Neutral
Connection to Network		By screw terminals: L/N = 1.5-10mm ² (16mm ² rigid) or PE = 2.5-25mm ² (35mm ² rigid)
Format		Plug-in modular box
Mounting		Symmetrical rail 35 mm (EN 60715)
Housing material		Thermoplastic UL94 V-0
Operating temperature	T_u	-40/+85°C
Protection rating		IP20
Failsafe mode		Disconnection from AC network
Disconnection indicator		2 mechanical indicators - Red/Green
Spare module(s)		MDAC40C-40-150
Remote signaling of disconnection		Output on changeover contact
Wiring for remote signaling		1.5 mm ² max.
Max. Voltage/Current for remote signaling		250 V / 0.5 A (AC) / 30 V / 3 A (DC)
Dimensions		See diagram - 2TE (EN43880)
Disconnectors		
Thermal disconnector		Internal
Installation ground fault breaker		Type 'S' or delayed
Back-up protection device		50 A min. - 125 A max. - Fuses Type gG
Standards		
Standards compliance		IEC 61643-11 / EN 61643-11 / UL1449 ed.5
Certification		KEMA
Part number		
821510122		

