



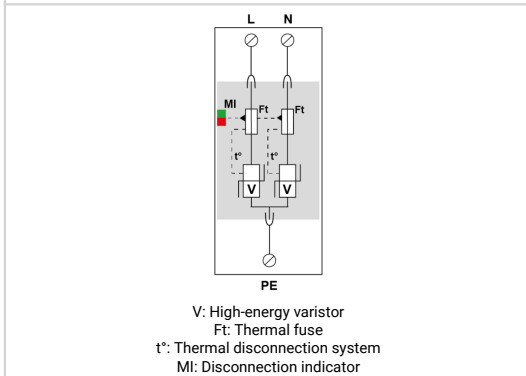
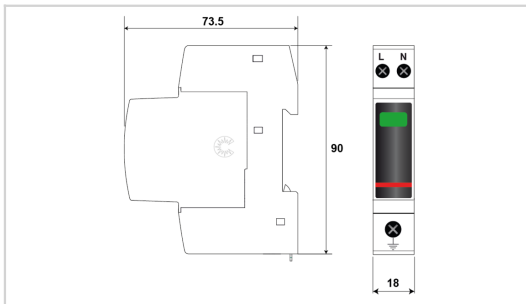
CITEL

Compact 1-phase Type 2 (or 3) surge protector - 230 V - Pluggable

DAC40C-20-440



- ✦ Compact single-phase type 2 (or 3) surge protector
- ✦ In : 20 kA
- ✦ I_{max} : 40 kA
- ✦ Commun/Differential mode
- ✦ Pluggable module
- ✦ Remote signaling (option)
- ✦ EN 61643-11, IEC 61643-11 certified
- ✦ UL1449 ed.5 compliance



Electrical Characteristics		
SPD type	IEC	2
Network		230 V single-phase
AC system		IT
Max. AC operating voltage	U _c	440 Vac
Temporary Over Voltage (TOV) Characteristics - 5 sec. Without disconnection	UT	580 Vac withstand
Temporary Over Voltage (TOV) Characteristics - 120 mn Without disconnection or with safety disconnection	UT	770 Vac disconnection
Residual Current Leakage current to Ground	I _{pe}	< 1 mA
Follow current	I _f	None
Nominal discharge current 15 x 8/20 μs impulses	I _n	20 kA
Max. discharge current max. withstand @ 8/20 μs by pole	I _{max}	40 kA
Total Maximum discharge current max. total withstand @ 8/20 μs	I _{max} Total	80 kA
Protection mode(s)		L/PE and N/PE
Protection level N/PE @ In (8/20μs)	Up N/PE	1.8 kV
Protection level L/PE @ In (8/20μs)	Up L/PE	1.8 kV
Admissible short-circuit current	I _{sc}	10 000 A
Mechanical Characteristics		
Technology		MOV
SPD configuration		Single phase
Connection to Network		By screw terminals: L/N = 1.5-10mm ² (16mm ² rigid) or PE = 2.5-25mm ² (35mm ² rigid)
Format		Plug-in modular box
Mounting		Symmetrical rail 35 mm (EN 60715)
Housing material		Thermoplastic UL94 V-0
Operating temperature	T _u	-40/+85°C
Protection rating		IP20
Failsafe mode		Disconnection from AC network
Disconnection indicator		1 mechanical indicator - Red/Green
Spare module(s)		MDAC40C-20-440
Remote signaling of disconnection		Option DAC40CS-20-440 : output on changeover contact
Wiring for remote signaling		1.5 mm ² max.
Max. Voltage/Current for remote signaling		250 V / 0.5 A (AC) / 30 V / 3 A (DC)
Dimensions		See diagram - 1TE (EN43880)
Disconnectors		
Thermal disconnector		Internal
Installation ground fault breaker		Type 'S' or delayed
Back-up protection device		50 A min. - 125 A max. - Fuses Type gG
Standards		
Standards compliance		IEC 61643-11 / EN 61643-11 / UL1449 ed.5
Certification		KEMA
Part number		
821510411		

