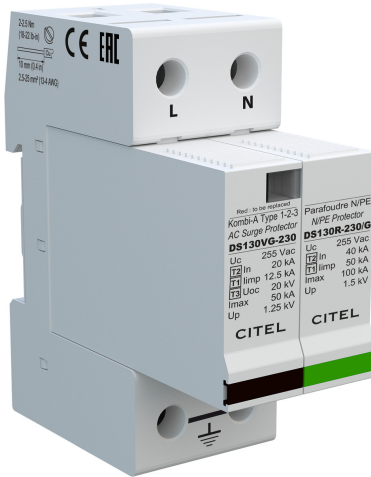




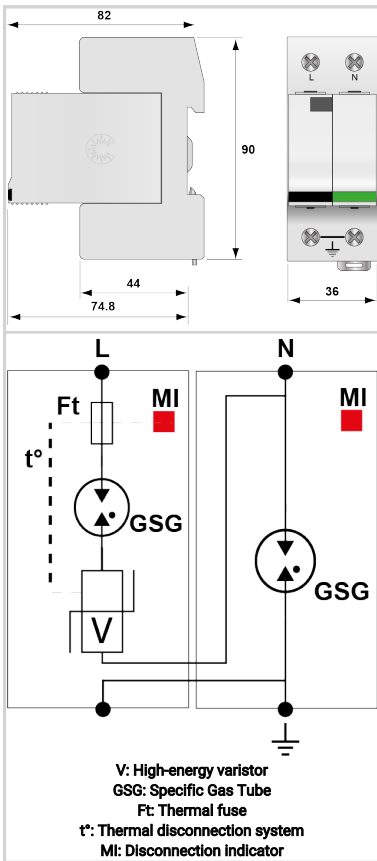
# CITEL

## Type 1+2+3 AC surge protector - Single phase

### DS132VG-230/G



- › Discover our latest innovation : the [DAC1-13VG-11-275](#)
- › Type 1 + 2 + 3 AC surge protector
- › In : 20 kA
- › Iimp total : 25 kA on 10/350µs impulse
- › Pluggable module
- › Optimized to TOV
- › Remote signaling (option)
- › EN 61643-11, IEC 61643-11 and UL1449 ed.5 compliance



#### Electrical Characteristics

SPD type	IEC	1+2+3
Network		230 V single-phase
AC system		TT-TN
Nominal line voltage	Un	230 Vac
Max. AC operating voltage	Uc	255 Vac
Temporary Over Voltage (TOV) Characteristics - 5 sec. Without disconnection	UT	335 Vac withstand
Temporary Over Voltage (TOV) Characteristics - 120 mn Without disconnection or with safety disconnection	UT	440 Vac withstand
Temporary Over Voltage N/PE (TOV HT) Without disconnection or with safety disconnection	UT	1200 V/300A/200 ms withstand
Residual Current	Ipe	None
Leakage current to Ground		
Follow current	If	None
Nominal discharge current 15 x 8/20 µs impulses	In	20 kA
Max. discharge current max. withstand @ 8/20 µs by pole	I <sub>max</sub>	50 kA
Impulse current by pole max. withstand 10/350µs by pole	I <sub>imp</sub>	12.5 kA
Total lightning current max. total withstand @ 10/350µs	I <sub>total</sub>	25 kA
Withstand on Combination waveform IEC 61643-11 Class III test: 1.2/50µs - 8/20µs	Uoc	20 kV
Withstand on overvoltages IEEE C62.41.1		20 kV
Specific energy by pole max. withstand 10/350 µs	W/R	40 kJ/ohm
Connection mode(s)		L/N and N/PE
Protection mode(s)		Common/Differential mode
Residual voltage @ In (8/20 µs)	Up-in	0.6 kV
Protection level L/N @ In (8/20µs)	Up L/N	1.25 kV
Protection level N/PE @ In (8/20µs)	Up N/PE	1.5 kV
Admissible short-circuit current	Iscrr	25 000 A

#### Mechanical Characteristics

Technology		VG Technology (MOV+GSG)
SPD configuration		Single phase
Connection to Network		By screw terminals: 2.5-25mm <sup>2</sup> / by bus
Format		Plug-in modular box
Mounting		Symmetrical rail 35 mm (EN 60715)
Housing material		Thermoplastic UL94 V-0
Operating temperature	Tu	-40/+85°C
Protection rating		IP20
Failsafe mode		Disconnection from AC network
Disconnection indicator		1 mechanical indicator by pole
Spare module(s)		DSM130VG-230 + DSM130VG-230/G
Remote signaling of disconnection		option DS132VGS-230/G : output on changeover contact
Dimensions		See diagram

#### Disconnectors

Thermal disconnector		Internal
Installation ground fault breaker		Type 'S' or delayed
Back-up protection device		Fuses Type gG - 125 A

#### Standards

Standards compliance		IEC 61643-11 / EN 61643-11 / UL1449 ed.5
----------------------	--	--



CITEL

Type 1+2+3 AC surge protector - Single phase

---

DS132VG-230/G

Part number

571552

