



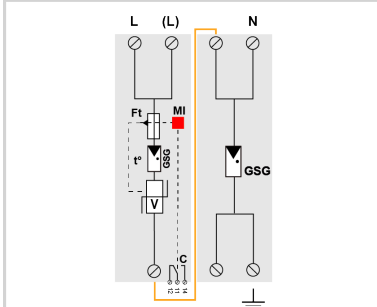
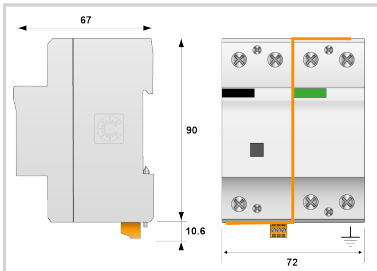
# CITEL



## Type 1+2+3 AC surge protector - Single phase

### DS252VG-300/G

- Type 1+2+3 unipolar surge protector
- 25 kA on 10/350µs impulse
- Low voltage Up
- Internal disconnection, status indicator and remote signaling
- Optimized to TOV
- IEC 61643-11 and UL1449 ed.5 compliance



**V:** High-energy varistor  
**GSG:** Specific gas tube  
**Ft:** Thermal fuse  
**C:** Remote signaling contact  
**t\*:** Thermal disconnection system  
**MI:** Disconnection indicator

#### Electrical Characteristics

SPD type	IEC	1+2+3
Network		230 V single-phase
AC system		TT-TN
Nominal line voltage	Un	230 Vac
Max. AC operating voltage	Uc	255 Vac
Max. load current <i>if series connection</i>	IL	100 A
Temporary Over Voltage (TOV) Characteristics - 5 sec. <i>Without disconnection</i>	UT	335 Vac withstand
Temporary Over Voltage (TOV) Characteristics - 120 mn <i>Without disconnection or with safety disconnection</i>	UT	440 Vac withstand
Temporary Over Voltage N/PE (TOV HT) <i>Without disconnection or with safety disconnection</i>	UT	1200 V/300A/200 ms withstand
Residual Current <i>Leakage current to Ground</i>	Ipe	None
Follow current	If	None
Nominal discharge current <i>15 x 8/20 µs impulses</i>	In	30 kA
Max. discharge current <i>max. withstand @ 8/20 µs by pole</i>	Imax	70 kA
Total Maximum discharge current <i>max. total withstand @ 8/20 µs</i>	Imax Total	150 kA
Impulse current by pole <i>max. withstand 10/350µs by pole</i>	Iimp	25 kA
Total lightning current <i>max. total withstand @ 10/350µs</i>	Itotal	50 kA
Withstand on Combination waveform IEC 61643-11 <i>Class III test: 1.2/50µs - 8/20µs</i>	Uoc	20 kV
Withstand on overvoltages IEEE C62.41.1		20 kV
Specific energy by pole <i>max. withstand 10/350 µs</i>	W/R	156 kJ/ohm
Connection mode(s)		L/N and N/PE
Protection mode(s)		Common/Differential mode
Residual voltage <i>@ In (8/20 µs)</i>	Up-in	1.1 kV
Protection level L/N <i>@ In (8/20µs)</i>	Up L/N	1.5 kV
Protection level N/PE <i>@ In (8/20µs)</i>	Up N/PE	1.5 kV
Admissible short-circuit current	Iscrr	50 000 A

#### Mechanical Characteristics

Technology		VG Technology (MOV+GSG)
SPD configuration		Single phase
Connection to Network		By screw terminals: 6-35mm <sup>2</sup> / by bus
Format		1-pole modular box assembled
Mounting		Symmetrical rail 35 mm (EN 60715)
Housing material		Thermoplastic UL94 V-0
Operating temperature	Tu	-40/+85°C
Protection rating		IP20
Failsafe mode		Disconnection from AC network
Disconnection indicator		1 mechanical indicator by pole
Remote signaling of disconnection		Output on changeover contact
Dimensions		See diagram

#### Disconnectors

Thermal disconnector		Internal
Installation ground fault breaker		Type 'S' or delayed
Back-up protection device		SFD1-25S-11 / or Fuses Type gG 315 A

#### Standards

Standards compliance		IEC 61643-11 / EN 61643-11 / UL1449 ed.5
----------------------	--	--

#### Part number



CITEL

Type 1+2+3 AC surge protector - Single phase

---

DS252VG-300/G

3403

---

