



CITEL

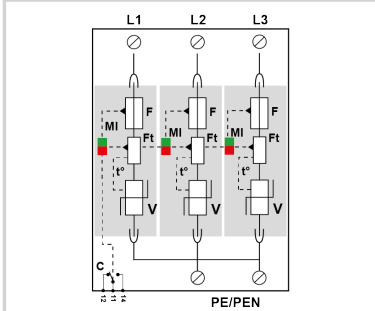
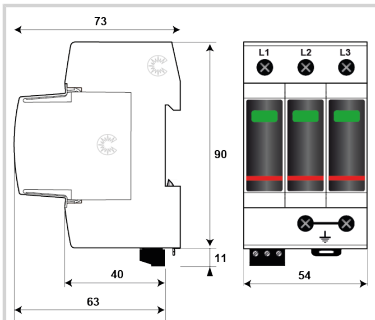
Type 2 AC surge protector - 3-phase - Integrated fuses

DACF25S-30-440



Type 2 AC surge protector

- › In: 15 kA
- › I_{max}: 25 kA
- › Interne Disconnection device
- › Pluggable module for each phase
- › Remote signaling
- › EN 61643-11, IEC 61643-11 and UL1449 ed.5 compliance



V: High-energy varistor
F: Thermal fuse
Ft: Overcurrent protection (fuse)
t*: Thermal disconnection system
C: Remote signal contact
MI: Disconnection indicator

Electrical Characteristics		
SPD type	IEC	2
Network		230/400 V 3-phase
AC system		IT
Max. AC operating voltage	U _c	440 Vac
Temporary Over Voltage (TOV) Characteristics - 5 sec. Without disconnection	UT	580 Vac withstand
Temporary Over Voltage (TOV) Characteristics - 120 mn Without disconnection or with safety disconnection	UT	770 Vac disconnection
Residual Current Leakage current to Ground	I _{pe}	< 1 mA
Follow current	I _f	None
Nominal discharge current 15 x 8/20 μs impulses	I _n	15 kA
Max. discharge current max. withstand @ 8/20 μs by pole	I _{max}	25 kA
Total Maximum discharge current max. total withstand @ 8/20 μs	I _{max Total}	75 kA
Connection mode(s)		L/PE
Protection level L/PE @ I _n (8/20 μs)	U _{p L/PE}	2 kV
Residual voltage L/PE at 5 kA @ 5 kA (8/20 μs)	U _{p-5kA}	1.5 kV
Admissible short-circuit current	I _{sc cr}	100 000 A
Mechanical Characteristics		
Technology		MOV
SPD configuration		3-phase
Connection to Network		By screw terminals: 2.5-25mm ² (35mm ² rigid)
Format		Plug-in modular box
Mounting		Symmetrical rail 35 mm (EN 60715)
Housing material		Thermoplastic UL94 V-0
Operating temperature	T _u	-40/+85°C
Protection rating		IP20
Failsafe mode		Disconnection from AC network
Disconnection indicator		1 mechanical indicator by pole - Red/Green
Spare module(s)		MDACF25-440
Remote signaling of disconnection		Output on changeover contact
Wiring for remote signaling		1.5 mm ² max.
Max. Voltage/Current for remote signaling		250 V / 0.5 A (AC) / 30 V / 3 A (DC)
Dimensions		See diagram - 3 TE (EN43880)
Disconnectors		
Thermal disconnector		Internal
Installation ground fault breaker		Type 'S' or delayed
Back-up protection device		internal (equivalent AC rating : 40 A, gG Type)
Standards		
Standards compliance		IEC 61643-11 / EN 61643-11 / UL1449 ed.5
Part number		
821410423		

