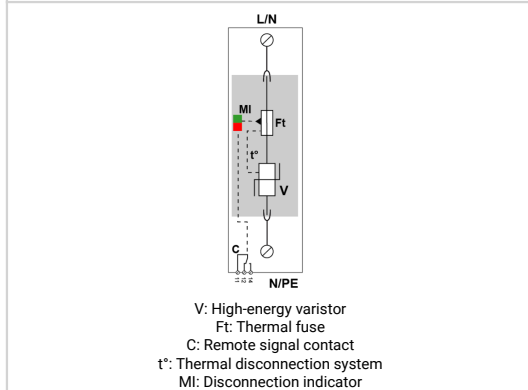
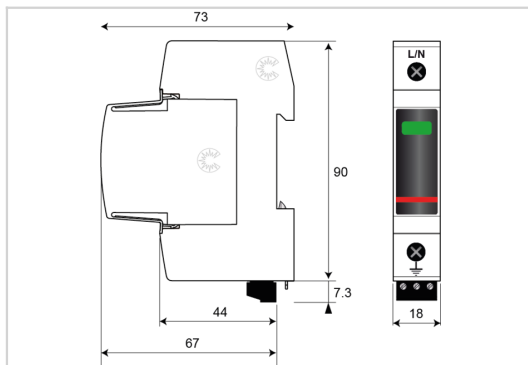




- ✔ Type 2 AC surge protector
- ✔ In: 20 kA
- ✔ I_{max}: 50 kA
- ✔ Pluggable module for each phase
- ✔ Remote signaling
- ✔ EN 61643-11, IEC 61643-11 compliance



| Electrical Characteristics | | |
|--|--------------------|---|
| SPD type | IEC | 2 |
| Max. AC operating voltage | Uc | 275 Vac |
| Temporary Over Voltage (TOV) Characteristics - 5 sec. Without disconnection | UT | 335 Vac withstand |
| Temporary Over Voltage (TOV) Characteristics - 120 mn Without disconnection or with safety disconnection | UT | 440 Vac disconnection |
| Residual Current | I _{pe} | < 1 mA |
| Leakage current to Ground | I _{pe} | < 1 mA |
| Follow current | I _f | None |
| Nominal discharge current 15 x 8/20 μs impulses | I _n | 20 kA |
| Max. discharge current max. withstand @ 8/20 μs by pole | I _{max} | 50 kA |
| Protection level @ I _n (8/20μs) | U _p | 1.25 kV |
| Residual voltage at 5 kA @ 5 kA (8/20μs) | U _{p-5kA} | 1 kV |
| Admissible short-circuit current | I _{sc} | 50 000 A |
| Mechanical Characteristics | | |
| Technology | | MOV |
| SPD configuration | | Single phase |
| Connection to Network | | By screw terminals: 2.5-25mm ² |
| Format | | Plug-in modular box |
| Mounting | | Symmetrical rail 35 mm (EN 60715) |
| Housing material | | Thermoplastic UL94 V-0 |
| Operating temperature | T _u | -40/+85°C |
| Protection rating | | IP20 |
| Failsafe mode | | Disconnection from AC network |
| Disconnection indicator | | 1 mechanical indicator - Red/Green |
| Spare module(s) | | MDAC50-275 |
| Remote signaling of disconnection | | output on changeover contact |
| Wiring for remote signaling | | 1.5 mm ² max. |
| Max. Voltage/Current for remote signaling | | 250 V / 0.5 A (AC) / 30 V / 3 A (DC) |
| Dimensions | | See diagram - 1TE (EN43880) |
| Weight | | 0.113 kg |
| Disconnectors | | |
| Thermal disconnector | | Internal |
| Installation ground fault breaker | | Type 'S' or delayed |
| Back-up protection device | | 50 A min. - 125 A max. - Fuses Type gG |
| Standards | | |
| Standards compliance | | IEC 61643-11 / EN 61643-11 |
| Certification | | OVE / UL |
| Part number | | |
| 821110221 | | |