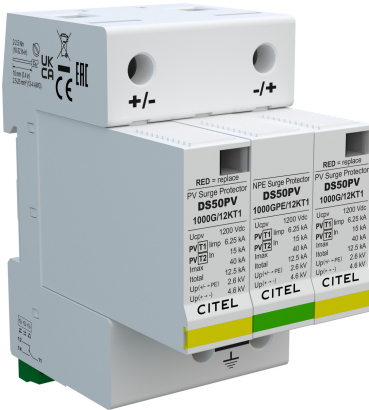




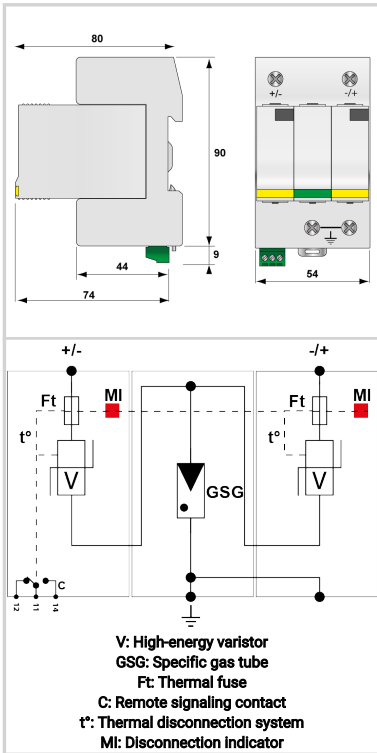
CITEL

Type 1+2 PV surge protector

DS50PVS-1000G/12KT1



- Type 1+2 surge protector for Photovoltaic
- Impulse currents I_{imp}/I_{total} : 6.25/12.5 kA (10/350 μ s)
- Common/Differential mode protection
- Remote signaling
- IEC 61643-31, EN 61643-31, EN 50539-11 and UL1449 ed.5 compliance



Electrical Characteristics		
SPD type	IEC	1+2
Network		PV network 1000 Vdc
Nominal PV voltage	Uocstc	1000 Vdc
Max. PV operating voltage	Ucpv	1200 Vdc
Residual Current <i>Leakage current to Ground</i>	Ipe	None
PV Permanent Operating current <i>Current consumption at Ucpv</i>	Icpv	< 0.1 mA
Follow current	If	None
Nominal discharge current <i>15 x 8/20 μs impulses</i>	In	15 kA
Max. discharge current <i>max. withstand @ 8/20 μs by pole</i>	I _{max}	40 kA
Total Maximum discharge current <i>max. total withstand @ 8/20 μs</i>	I _{max} Total	60 kA
Impulse current by pole <i>max. withstand 10/350μs by pole</i>	I _{imp}	6.25 kA
Total lightning current <i>max. total withstand @ 10/350μs</i>	I _{total}	12.5 kA
Current withstand short circuit PV	I _{scpv}	15 000 A
Connection mode(s)		+/-/PE
Protection mode(s)		Common/Differential mode
Protection level +/- <i>@ In (8/20μs)</i>	Up	4.6 kV
Protection level +/-PE (-/PE) <i>@ In (8/20μs)</i>	Up	2.6 kV
Mechanical Characteristics		
Technology		MOV+GDT
Connection to Network		By screw terminals: 2.5-25mm ²
Format		Plug-in modular box
Mounting		Symmetrical rail 35 mm (EN 60715)
Housing material		Thermoplastic UL94 V-2
Operating temperature	Tu	-40/+85°C
Protection rating		IP20
Disconnection indicator		2 mechanical indicators
Spare module(s)		DSM50PV-1000G/12KT1
Remote signaling of disconnection		Output on changeover contact
Dimensions		See diagram
Disconnectors		
Thermal disconnector		Internal
Back-up protection device		Without
Standards		
Standards compliance		IEC 61643-31 / EN 61643-31 / EN 50539-11 / UL1449 ed.5
Certification		TUV
Part number		
482393		

