



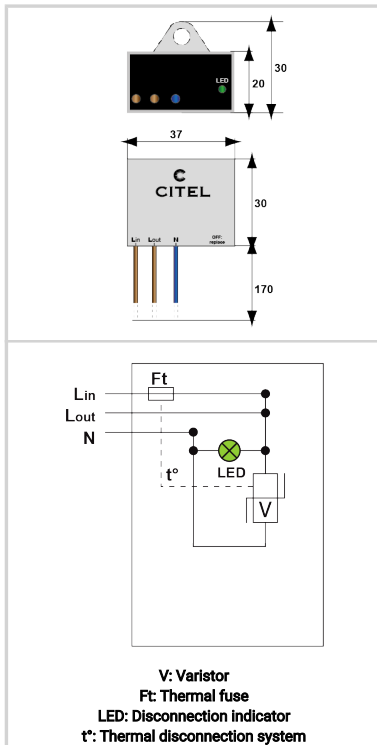
CITEL



Ultra Compact Type 2+3 hard wired surge protector for class II

MLPX2-230L-W

- Ultra compact Type 2+3 hard wired surge protectors
- Wall mounting and hard wired connection
- Bracket breakable
- Protection rating : IP67
- Disconnection signaling by indicator
- AC disconnection in case of end of life
- EN 61643-11, IEC 61643-11 and UL1449 ed.5 compliance



| Electrical Characteristics | | |
|--|------------|--|
| SPD type | IEC | 2+3 |
| Network | | 220-240 V Single-phase |
| AC system | | TT-TN |
| Nominal line voltage | Un | 230 V |
| Max. AC operating voltage | Uc | 320 Vac |
| Max. load current @25°C | IL | 10 A |
| Temporary Over Voltage (TOV) Characteristics - 5 sec. <i>Without disconnection</i> | UT | 335 Vac withstand |
| Temporary Over Voltage (TOV) Characteristics - 120 mn <i>Without disconnection or with safety disconnection</i> | UT | 440 Vac disconnection |
| Residual Current <i>Leakage current to Ground</i> | Ipe | None |
| Nominal discharge current <i>15 x 8/20 μs impulses</i> | In | 5 kA |
| Max. discharge current <i>max. withstand @ 8/20 μs by pole</i> | Imax | 10 kA |
| Total Maximum discharge current <i>max. total withstand @ 8/20 μs</i> | Imax Total | 20 kA |
| Withstand on Combination waveform IEC 61643-11 <i>Class III test: 1.2/50μs - 8/20μs</i> | Uoc | 10 kV |
| Withstand on overvoltages IEEE C62.41.1 | | 10 kV / 10 kA |
| Protection mode(s) | | Differential Mode |
| Protection level L/N <i>@ In (8/20μs)</i> | Up L/N | 1.5 kV |
| Admissible short-circuit current | Iscrr | 10 000 A |
| Mechanical Characteristics | | |
| Technology | | MOV+GDT |
| Connection to Network | | By wires: 1.5mm ² (L/N) and 2.5mm ² (PE) |
| Mounting | | Wall or plate |
| Housing material | | Thermoplastic UL94 V-0 |
| Operating temperature | Tu | -40/+85°C |
| Protection rating | | IP67 |
| Failsafe mode | | Disconnection and AC line cut-off |
| Disconnection indicator | | LED green OFF and AC network cut-off |
| Operating indicator | | Green Led ON |
| Dimensions | | See diagram |
| Disconnectors | | |
| Thermal disconnector | | Internal |
| Installation ground fault breaker | | Type 'S' or delayed |
| Standards | | |
| Standards compliance | | IEC 61643-11 / EN 61643-11 / UL1449 ed.5 |
| Certification | | CB |
| Part number | | |
| 711217 | | |

