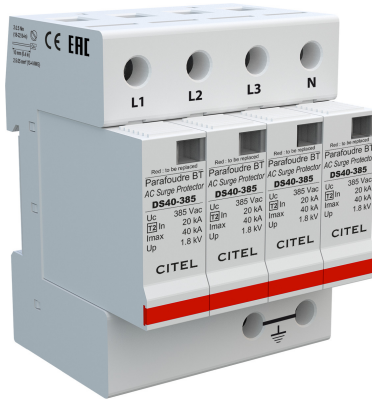




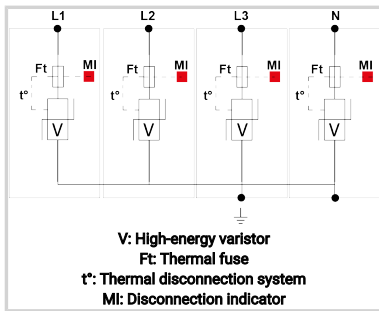
# CITEL

## Type 2 AC surge protector - 3-phase+N

### DS44-385



- › Discover our latest innovation : the [DAC50-40-440](#)
- › Type 2 AC Multipolar surge protector
- › In : 20 kA
- › I<sub>max</sub> total : 160 kA
- › Pluggable module for each phase
- › Remote signaling option
- › NF EN 61643-11, IEC 61643-11 compliance
- › UL1449 ed.5



#### Electrical Characteristics

|  |                        |                       |
|--|------------------------|-----------------------|
| SPD type   | IEC                    | 2                     |
| Network  |                        | 230/400 V 3-phase+N   |
| AC system  |                        | TNS                   |
| Nominal line voltage   | U <sub>n</sub>         | 230 Vac               |
| Max. AC operating voltage  | U <sub>c</sub>         | 385 Vac               |
| Temporary Over Voltage (TOV) Characteristics - 5 sec.<br><i>Without disconnection</i>                              | UT                     | 335 Vac withstand     |
| Temporary Over Voltage (TOV) Characteristics - 120 mn<br><i>Without disconnection or with safety disconnection</i> | UT                     | 440 Vac disconnection |
| Residual Current<br><i>Leakage current to Ground</i>   | I <sub>pe</sub>        | < 1 mA                |
| Follow current   | I <sub>f</sub>         | None                  |
| Nominal discharge current<br><i>15 x 8/20 μs impulses</i>  | I <sub>n</sub>         | 20 kA                 |
| Max. discharge current<br><i>max. withstand @ 8/20 μs by pole</i>  | I <sub>max</sub>       | 40 kA                 |
| Total Maximum discharge current<br><i>max. total withstand @ 8/20 μs</i>   | I <sub>max</sub> Total | 160 kA                |
| Connection mode(s)   |                        | L/PE and N/PE         |
| Protection level<br><i>@ I<sub>n</sub> (8/20μs)</i>  | U <sub>p</sub>         | 1.8 kV                |
| Admissible short-circuit current   | I <sub>scrr</sub>      | 25 000 A              |

#### Mechanical Characteristics

|                                   |                |  |
|-----------------------------------|----------------|--|
| Technology                        |                | MOV  |
| SPD configuration                 |                | 3-phase+Neutral                                    |
| Connection to Network             |                | By screw terminals: 2.5-25mm <sup>2</sup> / by bus |
| Format                            |                | Plug-in modular box                                |
| Mounting                          |                | Symmetrical rail 35 mm (EN 60715)                  |
| Housing material                  |                | Thermoplastic UL94 V-0                             |
| Operating temperature             | T <sub>u</sub> | -40/+85°C  |
| Protection rating                 |                | IP20   |
| Failsafe mode                     |                | Disconnection from AC network                      |
| Disconnection indicator           |                | 1 mechanical indicator by pole                     |
| Spare module(s)                   |                | DSM40-385  |
| Remote signaling of disconnection |                | option DS44S-385 : output on changeover contact    |
| Dimensions                        |                | See diagram  |

#### Disconnectors

|                                   |  |                      |
|-----------------------------------|--|----------------------|
| Thermal disconnector              |  | Internal             |
| Installation ground fault breaker |  | Type 'S' or delayed  |
| Back-up protection device         |  | Fuses type gG - 50 A |

#### Standards

|                      |  |  |
|----------------------|--|--|
| Standards compliance |  | IEC 61643-11 / EN 61643-11 / UL1449 ed.5 |
| Certification        |  | UL Recognized                            |

#### Part number

**461202**

