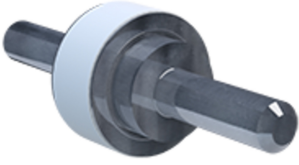




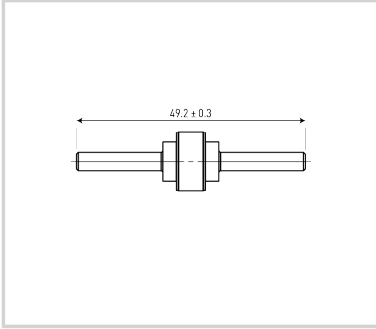
# CITEL

## Isolating spark gap (ISG)

### BF P100 750V



- › Isolating spark gap
- › Outdoor application
- › Max. discharge current: 100 kA
- › EN 62561-3 compliance



#### Electrical Characteristics

Rated DC withstand voltage	Uw DC	600 V
Rated AC withstand voltage	Uw AC	420 V
Max. discharge current <i>max. withstand @ 8/20 μs 1 time</i>	I <sub>max</sub>	100 kA
Impulse current by pole <i>max. withstand 10/350 μs by pole</i>	I <sub>imp</sub>	50 kA

#### Mechanical Characteristics

Technology	Gas discharge tube
Operating and storage temperature	-40°C / +90°C
Number of units per package	20 units per cardboard
Dimensions	See diagram

#### Standards

Standards compliance	EN 62561-3
RoHS compliance	Yes

#### Part number

90231330

