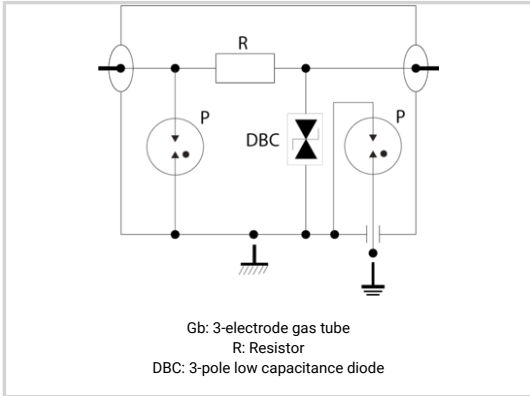




- ↳ Coaxial surge protector
- ↳ Multiples connectors
- ↳ Low insertion loss
- ↳ Easy installation



| Electrical Characteristics                                 |         |   |
|--|---------|---|
| Network  |         | coaxial DC-100 MHz                                  |
| Nominal line voltage                                       | Un      | 5 V   |
| Max. DC operating voltage                                  | Uc      | 10 Vdc  |
| Max. frequency   | f max.  | DC-100 MHz  |
| Insertion loss   |         | ≤ 0.5 dB  |
| Return loss  |         | ≥ 20 dB   |
| Impedance  |         | 50/75 ohms  |
| VSWR   |         | < 1.3:1   |
| Max. load current<br>@25°C                                 | IL      | 0.5 A   |
| Max. discharge current<br>max. withstand @ 8/20 μs by pole | Imax    | 20 kA   |
| Protection mode(s)   |         | Common mode   |
| Protection level<br>@ In (8/20 μs)                         | Up L/L  | 20 V  |
| Protection level L/N<br>@ In (8/20 μs)                     | Up L/N  | 20 V  |
| Protection level L/PE<br>@ In (8/20 μs)                    | Up L/PE | 20 V  |
| Impulse current<br>2 x 10/350 μs Test - D1 Category        | Iimp    | 2.5 kA  |
| Nominal discharge current<br>C2 Category                   | In      | 5 kA  |
| Max Power  |         | 4 W   |
| DC Pass  |         | No  |
| Mechanical Characteristics                                 |         |   |
| Technology   |         | GDT+Clamping diode                                  |
| Connection to Network                                      |         | Connector BNC Female/Male                           |
| Format   |         | Insulating box                                      |
| Mounting   |         | On plate  |
| Housing material   |         | Metal+plastic                                       |
| Operating temperature                                      | Tu      | -40/+85°C   |
| Protection rating  |         | IP20  |
| Failsafe mode  |         | Short-circuit - transmission cut-off - fault mode 2 |
| Disconnection indicator                                    |         | Transmission interrupt                              |
| Dimensions   |         | See diagram   |
| Weight   |         | 0.054 kg  |
| Standards  |         |   |
| Standards compliance                                       |         | IEC 61643-21 / EN 61643-21 / UL497E                 |
| Part number  |         |   |
| 64270  |         |   |