



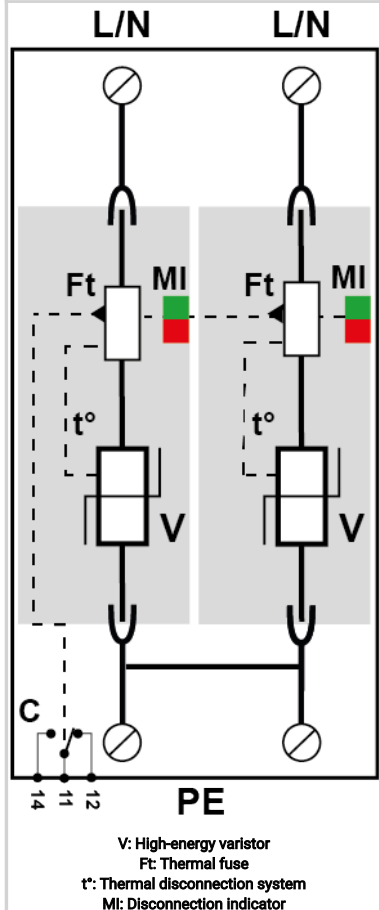
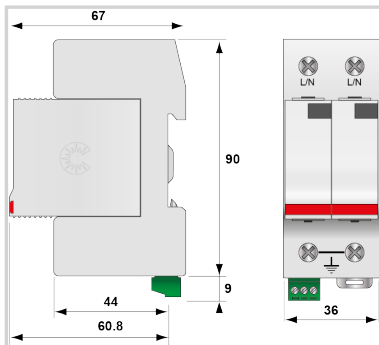
Type 2 AC surge protector - Single-phase

CITEL

DS42S-280



- ▶ Discover our latest innovation : the [DAC50S-20-320](#)
- ▶ Type 2 AC Multipolar surge protector
- ▶ In: 20 kA
- ▶ I_{max} total: 80 kA
- ▶ Pluggable module for each phase
- ▶ Remote signaling
- ▶ EN 61643-11, IEC 61643-11, UL1449 ed.5



Electrical Characteristics

SPD type	IEC	2
Network		230 V single-phase
AC system		TN
Nominal line voltage	U _n	230 Vac
Max. AC operating voltage	U _c	280 Vac
Temporary Over Voltage (TOV) Characteristics - 5 sec. Without disconnection	UT	335 Vac withstand
Temporary Over Voltage (TOV) Characteristics - 120 mn Without disconnection or with safety disconnection	UT	440 Vac disconnection
Residual Current Leakage current to Ground	I _{pe}	< 1 mA
Follow current	I _f	None
Nominal discharge current 15 x 8/20 μs impulses	I _n	20 kA
Max. discharge current max. withstand @ 8/20 μs by pole	I _{max}	40 kA
Total Maximum discharge current max. total withstand @ 8/20 μs	I _{max} Total	80 kA
Connection mode(s)		L/PE and N/PE
Protection mode(s)		Common mode
Protection level L/PE @ I _n (8/20μs)	U _p L/PE	1.3 kV
Admissible short-circuit current	I _{scsr}	25 000 A

Mechanical Characteristics

Technology		MOV
SPD configuration		Single phase
Connection to Network		By screw terminals: 2.5-25mm ² / by bus
Format		Plug-in modular box
Mounting		Symmetrical rail 35 mm (EN 60715)
Housing material		Thermoplastic UL94 V-0
Operating temperature	T _u	-40/+85°C
Protection rating		IP20
Failsafe mode		Disconnection from AC network
Disconnection indicator		1 mechanical indicator by pole
Spare module(s)		DSM40-280
Remote signaling of disconnection		output on changeover contact
Dimensions		See diagram

Disconnectors

Thermal disconnector		Internal
Installation ground fault breaker		Type 'S' or delayed
Back-up protection device		Fuses type gG - 50 A

Standards

Standards compliance		IEC 61643-11 / EN 61643-11 / UL1449 ed.5
Certification		cRUus
Environmental standards		EU RoHS

Part number

461121

