



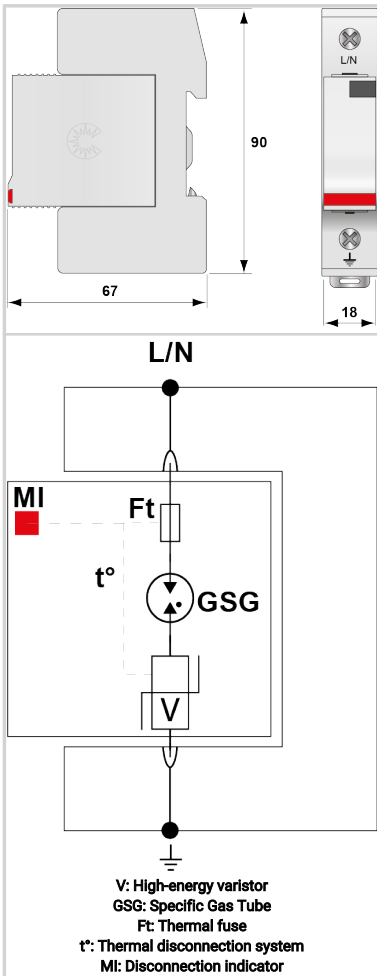
CITEL

Type 2+3 AC surge protector - one-phase - pluggable

DS41VG-120



- › Discover our latest innovation : the [DAC50VG-10-150](#)
- › Type 2 + 3 AC surge protector
- › In : 20 kA
- › Imax : 40 kA
- › Pluggable module
- › Follow and operating current : none
- › No ageing
- › Optional remote signaling state
- › Optimized to TOV
- › EN 61643-11, IEC 61643-11, UL1449 ed.5 compliance



| Electrical Characteristics | | |
|--|-------|--|
| SPD type | IEC | 2+3 |
| Network | | 120/208 V |
| Nominal line voltage | Un | 120 Vac |
| Max. AC operating voltage | Uc | 150 Vac |
| Temporary Over Voltage (TOV) Characteristics - 5 sec. Without disconnection | UT | 180 Vac withstand |
| Temporary Over Voltage (TOV) Characteristics - 120 mn Without disconnection or with safety disconnection | UT | 230 Vac withstand |
| Residual Current Leakage current to Ground | Ipe | None |
| Follow current | If | None |
| Nominal discharge current 15 x 8/20 μ s impulses | In | 20 kA |
| Max. discharge current max. withstand @ 8/20 μ s by pole | Imax | 40 kA |
| Withstand on Combination waveform IEC 61643-11 Class III test: 1.2/50 μ s - 8/20 μ s | Uoc | 6 kV |
| Withstand on overvoltages IEEE C62.41.1 | | 20 kV |
| Connection mode(s) | | L/N or N/PE |
| Protection mode(s) | | Common Mode or Differential Mode |
| Protection level @ In (8/20 μ s) | Up | 1.25 kV |
| Residual voltage @ In (8/20 μ s) | Up-in | 0.6 kV |
| Admissible short-circuit current | Iscrc | 25 000 A |
| Mechanical Characteristics | | |
| Technology | | VG Technology (MOV+GSG) |
| SPD configuration | | Single phase |
| Connection to Network | | By screw terminals: 2.5-25mm ² / by bus |
| Format | | Plug-in modular box |
| Mounting | | Symmetrical rail 35 mm (EN 60715) |
| Housing material | | Thermoplastic UL94 V-0 |
| Operating temperature | Tu | -40/+85°C |
| Protection rating | | IP20 |
| Failsafe mode | | Disconnection from AC network |
| Disconnection indicator | | 1 mechanical indicator |
| Spare module(s) | | DSM40VG-120 |
| Remote signaling of disconnection | | option DS41VGS-120 : output on changeover contact |
| Dimensions | | See diagram |
| Disconnectors | | |
| Thermal disconnector | | Internal |
| Installation ground fault breaker | | Type 'S' or delayed |
| Back-up protection device | | 50 A min. - 125 A max. - Fuses Type gG |
| Standards | | |
| Standards compliance | | IEC 61643-11 / EN 61643-11 / UL1449 ed.5 |
| Certification | | UL Recognized |
| Part number | | |
| 331651 | | |





CITEL

Type 2+3 AC surge protector - one-phase - pluggable

DS41VG-120

